

# Comfort 861

Comfort 861





## Article

Item no.	Description	Price
116954	<b>Comfort 861</b> Column operator set for sliding gates up to 600 kg: 24 V-DC motor, 800 N, 18 cm/s, 1.28 m high	1004.00 €
116955	<b>Comfort 861</b> Column operator set for sliding gates up to 600 kg: 24 V-DC motor, 800 N, 18 cm/s, 1.53 m high	1099.00 €
116956	<b>Comfort 861</b> Column operator set for sliding gates up to 600 kg: 24 V-DC motor, 800 N, 18 cm/s, desired height (0.93 to 2.03 m high)	on request

## Scope of delivery

- Motor unit with integrated control Control x.82
- Digital 941 Module receiver with magnetic base antenna, 868 MHz bi.linked
- Digital 564 mini hand transmitter 4-channel, 868 MHz bi.linked
- Floor console and spur gear module 4 pre-assembled
- Installation material

# Features

## Opener

- Current-dependent obstacle detection - no active closing edge protection necessary
- DC motor: soft start and stop are gentle on the door, separately adjustable opening and closing speeds enable fast opening and standard-compliant closing
- Reference point technique
- High quality anodized aluminum housing
- Available in 2 standard heights and in individual heights according to customer requirements
- Plenty of space for additional accessories and cabling in the housing
- Battery backup can be integrated in the housing
- Pre-assembled light unit for retrofitting a signal light in the housing
- Grooves in the housing for easy attachment of rubber profiles or contact strips without aluminum profile
- Easy integration into fence systems and sliding gates, can also be used as a counter post
- Height-adjustable spur gear for fine adjustment of the installation position

## Structure and connection

- Pluggable radio receiver
- Connection (conventional) for push button
- Connection (conventional) for 2-wire or 4-wire photoelectric sensor OPEN and CLOSED
- Connection (conventional) for holding circuit
- Connection (conventional) for 8.2 kOhm contact strip OPEN and CLOSED
- Connection (conventional) for 24 V-DC signal light
- Connection (conventional) for electric lock 24 V-DC
- Connection (MS bus) for handheld programmer and expansion modules
- Connection for battery backup
- Output 24 V-DC, max. 50 mA

## Operation

- Marantec EOS programming
- 2 menus: simple and advanced - for easy programming, but customizable installation
- Programming and status message via LC display
- Programming and diagnostics possible via optional external handheld programmer

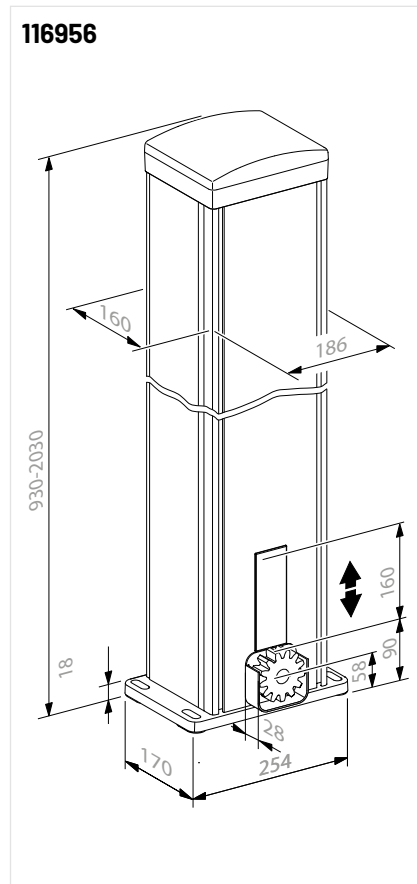
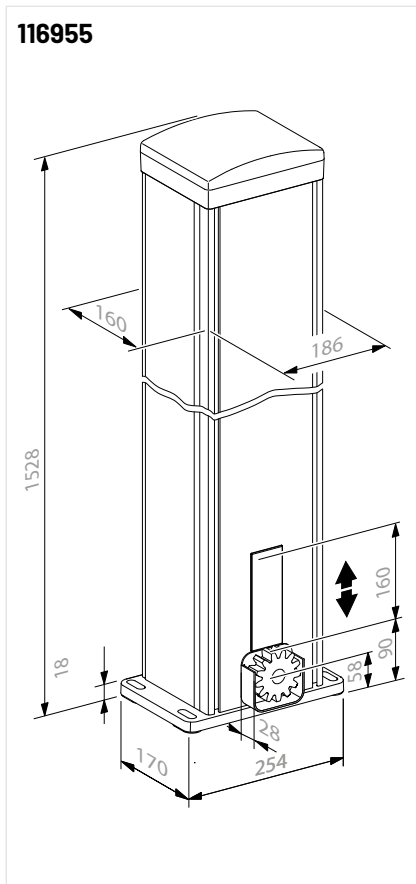
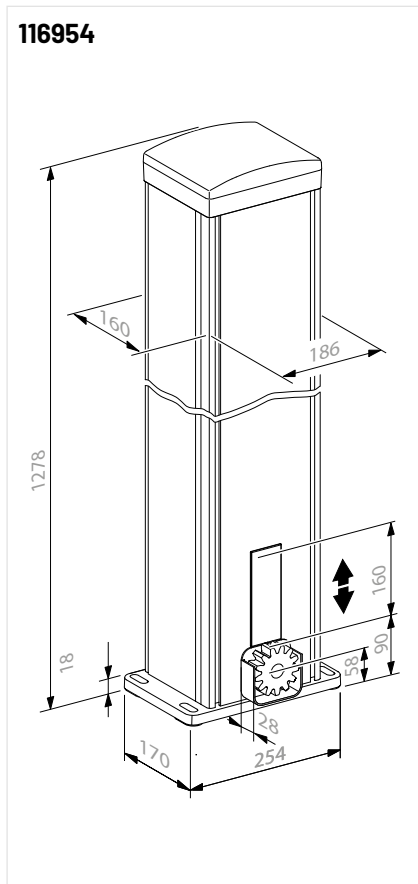
## Functions

- Power-saving technology
- Soft start/soft stop/soft run
- Electronic anti-deferral device
- Blocking protection
- Runtime limit
- Automatic feed function (can only be used in conjunction with a light barrier)
- Gate open time and prewarning time separately programmable
- Lighting duration programmable and switchable by radio
- Automatic cut-out OPEN and CLOSE separately programmable
- Partial opening programmable
- Running speed OPEN and CLOSE separately programmable
- Soft run position OPEN and CLOSE separately programmable
- Soft run speed OPEN and CLOSE separately programmable
- Relay output programmable: signal light, door position OPEN or CLOSED, wipe impulse (1 s), fault, lighting
- Cycle counter
- Maintenance interval programmable
- Error signaling with error memory
- Multi-level reset function (control, safety, radio, etc.)

# Technical data

	Comfort 861
Width gate wing (max.) [m]	8
Weight of gate leaf (max.) [kg]	600
Operating mode (duty cycle)	S2 - 5 min
Push and pull force (max.) [N]	800
Running speed (max.) [cm/s]	18
Modul	4
Motor voltage [V]	24 V-DC
End position system	Reference point technique
Protection class	IP44

# Technical drawings



Comfort 861

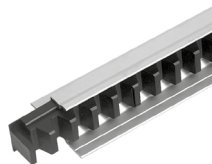
## Operator specific accessories



**Special 471**

1 m rack, module 4, made of plastic

8052649  
21.00 €



**Special 441**

2 m plastic rack module 4 in aluminum profile with cable duct

Length [mm]	Item no.	Price
2,000	121276	120.00 €
4,000	121277	176.00 €



**Control 950 with installation**

LED signal light 24 V, orange, 2.9 W, with installation kit for installation in the Comfort 861 operator column

158820  
68.00 €

## Technical data

### Sliding Gate Operators TU, SU

	Comfort TU500	Comfort TU800	Comfort SU500F	Comfort SU700M	Comfort SU1100M
Weight of gate leaf (max.) [kg]	500	800	500	700	1,100
Operating mode (duty cycle)	S2 - 3 min		S2 - 8 min		
Output torque [Nm]	16	29	23	26	38
Running speed (max.) [cm/s]	16		40	25	20
Modul	4				
Motor power [kW]	0.3	0.45	0.35		0.3
Motor voltage [V]	230 V/1~		24 V-DC		
End position system	Electronic limit switch		Magnetic limit switch lugs		
Protection class	IP44				
Continuous sound pressure level (max.) [dB(A)]	70				
Temperature (min./max.) [°C]	-20/55				
Dimensions (WxHxD) [mm]	320x260x184		330x330x290		

### 861, 861 S Sliding Gate Operators

	Comfort 861 S	Comfort 861		
Width gate wing (max.) [m]	8			
Weight of gate leaf (max.) [kg]	600			
Operating mode (duty cycle)	S2 - 5 min			
Push and pull force (max.) [N]	800			
Running speed (max.) [cm/s]	18			
Modul	4			
Motor voltage [V]	24 V-DC			
End position system	Reference point technique			
Protection class	IP44			
Continuous sound pressure level (max.) [dB(A)]	70			
Temperature (min./max.) [°C]	-20/60			
Dimensions (WxHxD) [mm]	330x385x178	186x1,278x198	186x1,528x198	186xx198

## Technical data

### SDO Sliding Gate Operators

	SDO 05-8-45	SDO 05-10-24	SDO 05-10-30	SDO 35-13-45 HD	SDO 35-20-24 HD	SDO 35-21-45 HD	SDO 35-33-24 HD
Output torque [Nm]	80	100		130	200	210	330
Output speed [1/min]	45	24	30	45	24		
Cycles per hour (max.)*	10			8	5	8	5
Motor power [kW]	0.55			0.95		1.5	
Operating voltage [V]	230 V/1~; 230 V/3~; 400 V/3~					230 V/3~; 400 V/3~	230 V/1~; 230 V/3~; 400 V/3~
Nominal frequency [Hz]	50						
Rated current [A]							
Rated current in star connection [A]	1.90	2.00		3.30		4.20	3.30
On-site fuse protection (mains operation 400 V/3~)[A]	16						
Rated current in delta connection [A]	3.20	3.50	4.10	5.70		7.30	5.70
On-site fuse protection (mains operation 230 V/3~)[A]	16						
Operation with CS 320 FU (frequency converter 230 V/1~)	0,75 kW			1,5 kW		-	1,5 kW
On-site fuse protection (frequency converter operation 230V/1~) [A]	16						
Operation with CS 320 FU (frequency converter 400 V/3~)	0,75 kW			1,5 kW			
On-site fuse protection (FI operation 400V/3~)[A]	16						
Power factor cos phi	0.69	0.72		0.71			
Protection class	IP54						
Brake type	Gr. 1/1 Nm			Gr. 2/10 Nm	Gr. 2/4 Nm	Gr. 2/10 Nm	Gr. 2/4 Nm
Temperature (min./max.)[°C]	-20/60						
Continuous sound pressure level (max.) [dB(A)]	70						
Weight [kg]	15			36			

\* One cycle corresponds to two travels (opening and closing) of the gate. The values given refer to 10 revolutions of the output shaft per travel and assume an even distribution.

# Sliding Gate Operators





Comfort TU



Comfort SU



Comfort 861 S



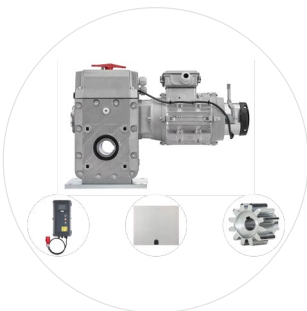
Comfort 861



SDO Sliding Gate Operators



SDO 05 - Sets



SDO 35 - Sets