

Comfort 220.2 blueline

Operator system for garage doors



[EOS] EASY OPERATING SYSTEM

NEW March 2009

Comfort 220.2 blueline

Article	Article no.	Price each
Motor unit Comfort 220.2 blueline 868 MHz Multi-Bit	88 302	

Package

- Motor unit Comfort 220.2 blueline
- Multibit remote control 868 MHz
- Digital 302 Mini hand transmitter, 2-channel
- Universal mounting kit for up-and-over doors and sectional doors

Electrical details

Nominal voltage	230 V
Nominal frequency	50/60 Hz
Power consumption	1,1 A
Power input in operation	0,25 KW
Power input stand-by	< 0,3 W
Operation mode (duty cycle)	KB 2 min.
Control voltage	24 V DC
Protection category motor unit	IP 20
Protection class	II

Mechanical details

Push and pull force	600 N
Door travel speed	140 mm/sec.
Opening time (door-specific) approx.	15 sec.

General details

Measurements	220 x 125 x 395 mm
Weight (total)	3,8 kg
Range of temperature	-20 °C to +60 °C
Illuminant (energy-saving bulb)	1 x 11 W, E14

Function

- Economy mode blueline
- Reference point technique
- Electronic travel cut-out
- Soft start/soft stop
- Push-open security device
- Anti-blocking device
- Excess travel stop
- Release from inside
- Connection for pushbuttons, code keypads and key switches
- Connection for battery back-up
- Automatic cut-out 'Open' and 'Close' separately programmable
- Partial opening programmable
- Door travel speed 'Open' and 'Close' programmable
- Soft run position 'Open' and 'Close' separately programmable
- Soft run travel speed 'Open' and 'Close' separately programmable
- 3 minutes light for garage door lighting (programmable)
- Automatic timer function
- Connection potential-free limit switch information
- Retrofitting of potential-free signal relay possible, for: signal light, wiping impulse, 3 minutes light, final position message, alarm system and malfunction message
- Error message
- Reset function

Application

- Operator system for garage doors – private use
- For up-and-over doors up to a door width of 3.500 mm and a door weight of 100 kg
- For single-walled sectional doors up to a door width of 5.000 mm and a door weight of 100 kg
- For double-walled sectional doors up to a door width of 3.000 mm and a door weight of 100 kg
- For retractable up-and-over doors and canopy doors up to a door width of 3.500 mm, a door height of 2.250 mm and a door weight of 100 kg
- For maximum 8 parking lots, 16 operations (equates to RAL-certification mark class II /60.000 cycles)
- For operator rails with roller chains, toothed drive belts or ball rope

Accessories

Battery back-up for Comfort 220.2 blueline



NEW May 2009

Battery back-up for Comfort 220.2 blueline

Article	Article no.	Price each
Battery back-up for Comfort 220.2 blueline	87 786	

Package

- Accumulator unit with charge regulator
- Sales unit: 1 no.

Function/Application

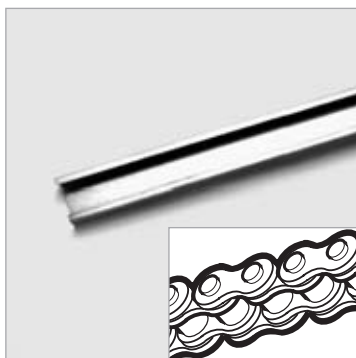
- for emergency power supply of the operator system
Comfort 220.2 blueline, retrofittable
- Service life (battery back-up mode)
- 10 cycles per day/ 7 days
- at an ambient temperature of +20°C

Technical details/specifications

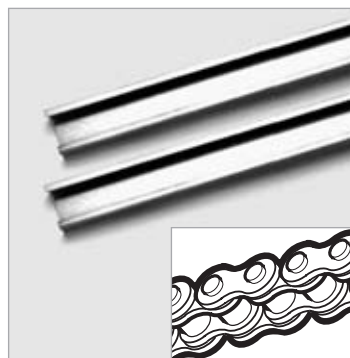
Measurements (W x H x D)(Accumulator unit)	230 x 280 x 80 mm
Weight (total)	(Accumulator unit) 6 kg
Battery capacity	7,2 Ah
Range of temperature	-15°C to +45°C
Protection category	IP 20

Operator rails

1.10 Comfort 211, 220.2, 250.2, 250.2 speed, 252.2, 257



NEW



NEW

Roller chain, 1-part version (0,8 mm)

Article	Article no.	Price each
SK 11, 1-part	83 772	
Measurements (L)	3.080 mm	
Length of travel	2.475 mm	
Packing length	3.140 mm	
Weight (total)	5,9 kg	

Roller chain, 2-part version (0,8 mm)

Article	Article no.	Price each
SK 11, 2-part	83 789	
Measurements (L)	3.080 mm	
Length of travel	2.475 mm	
Packing length	1.600 mm	
Weight (total)	6,8 kg	

Article	Article no.	Price each
SK 12, 1-part	83 773	
Measurements (L)	3.330 mm	
Length of travel	2.725 mm	
Packing length	3.380 mm	
Weight (total)	6,3 kg	

Article	Article no.	Price each
SK 12, 2-part	83 790	
Measurements (L)	3.330 mm	
Length of travel	2.725 mm	
Packing length	1.725 mm	
Weight (total)	7,2 kg	

Article	Article no.	Price each
SK 13, 1-part	83 774	
Measurements (L)	4.090 mm	
Length of travel	3.485 mm	
Packing length	4.140 mm	
Weight (total)	8,2 kg	

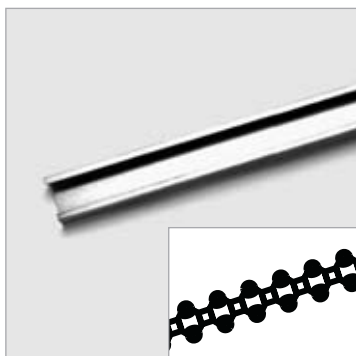
Article	Article no.	Price each
SK 13, 2-part	83 791	
Measurements (L)	4.090 mm	
Length of travel	3.485 mm	
Packing length	2.100 mm	
Weight (total)	8,8 kg	

Package
· Micro-profiled operator rail, 1-part

Package
· Micro-profiled operator rail, 2-part
· Rail connector
· Mounting material

Function/Application
· To transmit the power from the operator system to the door
· Micro-profiled operator rail for the operator systems Comfort 211 (only SK 11 and SK 12), 220.2, 250.2, 250.2 speed, 252.2 and 257
· The rail length depends on the door height and on the door brand

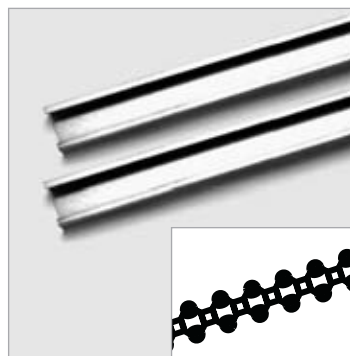
Function/Application
· To transmit the power from the operator system to the door
· Micro-profiled operator rail for the operator systems Comfort 211 (only SK 11 and SK 12), 220.2, 250.2, 250.2 speed, 252.2 and 257
· The rail length depends on the door height and on the door brand



NEW

Ball rope, 1-part-version (0,8 mm)

Article	Article no.	Price each
ST 11, 1-part	84 420	
Measurements (L)	3.080 mm	
Length of travel	2.475 mm	
Packing length	3.140 mm	
Weight (total)	4,4 kg	



NEW

Ball rope, 2-part-version (0,8 mm)

Article	Article no.	Price each
ST 11, 2-part	84 421	
Measurements (L)	3.080 mm	
Length of travel	2.475 mm	
Packing length	1.600 mm	
Weight (total)	5,1 kg	

Article	Article no.	Price each
ST 12, 1-part	84 422	
Measurements (L)	3.330 mm	
Length of travel	2.725 mm	
Packing length	3.380 mm	
Weight (total)	4,7 kg	

Article	Article no.	Price each
ST 12, 2-part	84 423	
Measurements (L)	3.330 mm	
Length of travel	2.725 mm	
Packing length	1.725 mm	
Weight (total)	5,4 kg	

Package
· Micro-profiled operator rail, 1-part

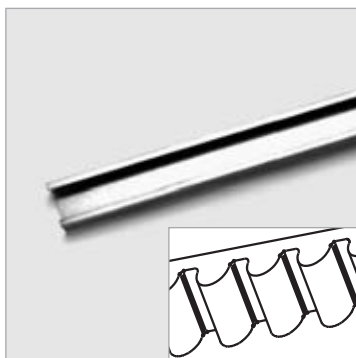
Package
· Micro-profiled operator rail, 1-part
· Rail connector
· Mounting material

Function/Application
· To transmit the power from the operator system to the door
· Micro-profiled operator rail for the operator systems Comfort 211 and 220.2
· The rail length depends on the door height and on the door brand

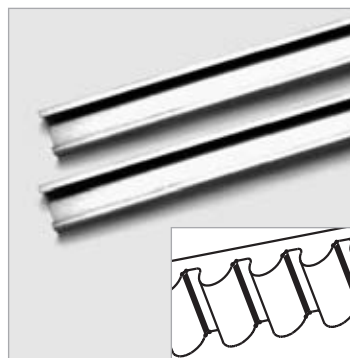
Function/Application
· To transmit the power from the operator system to the door
· Micro-profiled operator rail for the operator systems Comfort 211 and 220.2
· The rail length depends on the door height and the door band

Operator rails

1.12 Comfort 211, 220.2, 250.2, 250.2 speed, 252.2, 257



NEW



NEW

Toothed drive belt, 1-part version (0,8 mm)

Article	Article no.	Price each
SZ 11, 1-part	83 725	
Measurements (L)	3.080 mm	
Length of travel	2.475 mm	
Packing length	3.140 mm	
Weight (total)	4,7 kg	

Toothed drive belt, 2-part version (0,8 mm)

Article	Article no.	Price each
SZ 11, 2-part	83 737	
Measurements (L)	3.080 mm	
Length of travel	2.475 mm	
Packing length	1.600 mm	
Weight (total)	5,4 kg	

Article	Article no.	Price each
SZ 12, 1-part	83 726	
Measurements (L)	3.330 mm	
Length of travel	2.725 mm	
Packing length	3.380 mm	
Weight	5,0 kg	

Article	Article no.	Price each
SZ 12, 2-part	83 738	
Measurements (L)	3.330 mm	
Length of travel	2.725 mm	
Packing length	1.725 mm	
Weight (total)	5,9 kg	

Article	Article no.	Price each
SZ 13, 1-part	83727	
Measurements (L)	4.090 mm	
Length of travel	3.485 mm	
Packing length	4.140 mm	
Weight (total)	6,2 kg	

Article	Article no.	Price each
SZ 13, 2-part	83 739	
Measurements (L)	4.090 mm	
Length of travel	3.485 mm	
Packing length	2.100 mm	
Weight (total)	7,0 kg	

Package
· Micro-profiled operator rail, 1-part

Package
· Micro-profiled operator rail, 2-part
· Rail connector
· Mounting material

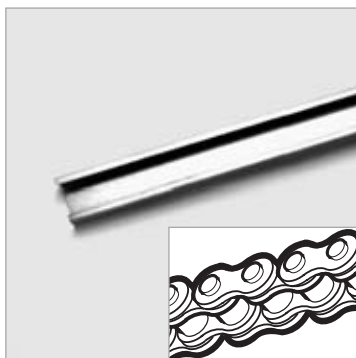
Function/Application
· To transmit the power from the operator system to the door
· Micro-profiled operator rail for the operator systems Comfort 211 (only SZ 11 and SZ 12), 220.2, 250.2, 250.2 speed, 252.2 and 257
· The rail length depends on the door height and the door brand

Function/Application
· To transmit the power from the operator system to the door
· Micro-profiled operator rail for the operator systems Comfort 211 (only SZ 11 and SZ 12), 220.2, 250.2, 250.2 speed, 252.2 and 257
· The rail length depends on the door height and the door brand

Operator rails

Comfort 211, 220.2, 250.2, 250.2 speed, 252.2, 257

1.13



NEW

Roller chain, 1-part version (1,2 mm)

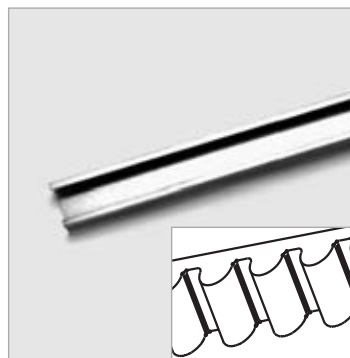
Article	Article no.	Price each
SK S 11, 1-part	86 318	
Measurements (L)	3.080 mm	
Length of travel	2.475 mm	
Packing length	3.140 mm	
Weight (total)	5,9 kg	

Article	Article no.	Price each
SK S 12, 1-part	86 319	
Measurements (L)	3.330 mm	
Length of travel	2.725 mm	
Packing length	3.380 mm	
Weight	6,3 kg	

Article	Article no.	Price each
SK S 13, 1-part	86 320	
Measurements (L)	4.090 mm	
Length of travel	3.485 mm	
Packing length	4.140 mm	
Weight (total)	8,2 kg	

Package
· Micro-profiled operator rail, 1-part

Function/Application
· To transmit the power from the operator system to the door
· Micro-profiled operator rail for the operator systems Comfort 250.2, 250.2 speed, 252.2 and 257
· For heavy garage doors as well as underground and collective garages



NEW

Toothed drive belt, 1-part version (1,2 mm)

Article	Article no.	Price each
SZ S 11, 1-part	86 315	
Measurements (L)	3.080 mm	
Length of travel	2.475 mm	
Packing length	3.140 mm	
Weight (total)	4,7 kg	

Article	Article no.	Price each
SZ S 12, 1-part	86 316	
Measurements (L)	3.330 mm	
Length of travel	2.725 mm	
Packing length	3.380 mm	
Weight (total)	5,0 kg	

Article	Article no.	Price each
SZ S 13, 1-part	86 317	
Measurements (L)	4.090 mm	
Length of travel	3.485 mm	
Packing length	4.140 mm	
Weight (total)	6,2 kg	

Package
· Micro-profiled operator rail, 1-part

Function/Application
· To transmit the power from the operator system to the door
· Micro-profiled operator rail for the operator systems Comfort 250.2, 250.2 speed, 252.2 and 257
· For heavy garage doors as well as underground and collective garages