

Electrical data		M	IF M	IF, KU M	IF, KU M	IF, KU M	IF, KU M
		10/14-40	08/17-60	15/17-60	30/17-60	35/12-60	45/12-60
Nominal voltage	V	230	230	230	230	230	230
Nominal frequency	Hz	50	50	50	50	50	50
Current input	A	0,5	0,6	1,1	1,3	1,2	1,4
Power consumption operation	KW	0,110	0,135	0,200	0,285	0,275	0,310
Nominal torque	Nm	10	8	15	30	35	45
Nominal rotational speed	RPM	14	17	17	17	12	12

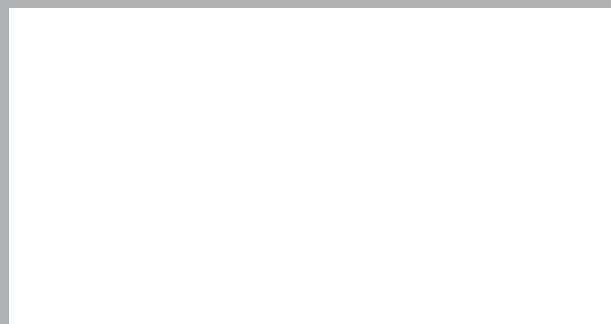
General data		M	IF M	IF, KU M	IF, KU M	IF, KU M	IF, KU M
		10/14-40	08/17-60	15/17-60	30/17-60	35/12-60	45/12-60
Weight (M 40)	kg	1,15					
Weight (M 60)	kg		2,3	2,3	2,6	2,6	2,6
Weight (IF)	kg		2,2	2,8	3,1	3,1	3,1
Weight (KU)	kg			3,2	3,4	3,4	3,4
Measurements (M 40) *	(L x H)	510 x 47,0					
Measurements (M 60) *	(L x H)		450 x 58,5	490 x 58,5	570 x 58,5	570 x 58,5	570 x 58,5
Measurements (IF) *	(L x H)		570 x 58,5	670 x 58,5	720 x 58,5	720 x 58,5	720 x 58,5
Measurements (KU) *	(L x H)			630 x 85,0	630 x 85,0	630 x 85,0	630 x 85,0
Application range roller shutters		x	x	x	x	x	x
Application range awnings				x	x	x	x

Motor table for awnings (Nm)					
Number of arms	Projection in meters				
	1,5	2,0	2,5	3,0	4,0
2	M 15/17	M 30/17	M 30/17	M 30/17	M 35/12
3	M 30/17	M 30/17	M 30/17	M 30/17	M 35/12
4	M 30/17	M 35/12	M 35/12	M 35/12	M 45/12
5	M 35/12	M 35/12	M 45/12	M 45/12	
6	M 35/12	M 35/12	M 45/12		
7	M 45/12	M 45/12			

Motor table for roller shutters (Nm)	
Ø Tube (mm)	Weight (kg)
	0 10 20 30 40 50 60 70 80 90
50	8 Nm 15 Nm 30 Nm 35 Nm 45 Nm
60	
70	
80	
90	
100	
110	
120	
130	

frictional losses included

Package
Tubular motor Comfort 400, pre-assembled
Adapter 40.8/60.8 KT
Carrier link 40.8/60.8 KT



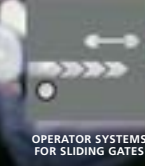
Marantec Antriebs- und Steuerungstechnik GmbH & Co. KG  
Remser Brook 11 · 33428 Marienfeld · Germany  
Tel. +49 52 47 7 05-0 · Fax +49 52 47 7 05-284



Door operators ► automatically the best choice

www.marantec.com

2-GB451-TV-4-0906 Printed on chlorine free bleached paper



Safety and comfort by technique



Door operators ► automatically the best choice

## Operator systems Comfort 400 for roller shutters and awnings.

As the international leader in technology for operator and control technique we have transferred our proven technologies and experiences in garage door operators and gate operators to the exterior of your home. The operator system Comfort 400 stands for its name with regard to safety and comfort by technique – automatically the best!

Roller shutters protect the house against heat, cold, break-in and maintains your privacy. Roller shutters help to protect your home and serve your protection. Awnings protect the house against sun and weather and provide a comfortable atmosphere. The operator system Comfort 400 offers for both roller shutters and awnings a safe and comfortable complete protection – automatically!

## Marantec operator systems – Comfort and safety by technique!

When speaking of comfort, we always think of installation and operation. Every Comfort operator system will have to be installed easily and quickly, because this saves time and money. The user will be able to operate the system easily. Moreover it has to work extremely reliably and quietly, only this means perfect comfort.

When speaking of safety we always think of two different kinds of safety: the safety in operation and the safety in protecting your property. Every Comfort operator system has to be operated extremely safely. The technology works discreetly in the background. A Marantec product has to protect your property as well against unauthorized access.

**Operator systems Comfort 400. Safety and comfort by technique.**



The operator system Comfort 400 offers different functional tubular motor systems for comprehensive automation of roller shutters and awnings:

### Comfort 400

For the classical automation of roller shutters and awnings.

### Comfort 400 IF

A system with integrated remote receiver.

### Comfort 400 KU

A system with emergency hand crank for applications mainly used in trade. Therefore the operation of tubular motors is also guaranteed, even in case of power failure.

**Operator system, adapter, bearing, remote. The perfect package for any application.**

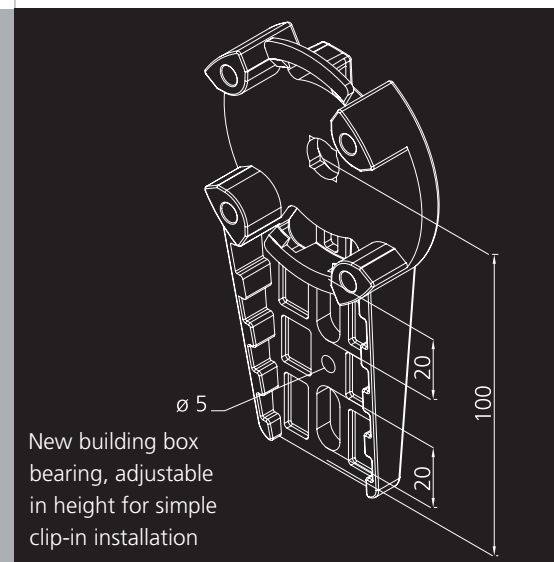


The range Comfort 400 offers for each requirement the right tubular motor: the nominal torque vary from 8 Nm to 45 Nm, the nominal rotational speed from 12, 14 to 17 RPM. The final position can be adjusted by means of the mechanical limit switches in a simple, safe and quick way. The range is completed by an extensive, multi-functional remote range as well as electrical accessory range.

The package Comfort 400 consists of:

- Tubular motor Comfort 400
- Adapter set 40.8/60.8 KT, pre-assembled
- Carrier link 40.8/60.8 KT, pre-assembled
- Integrated remote receiver (only Comfort 400 IF)
- Integrated emergency crank (only Comfort 400 KU)

**Bearing and adapter. For exact and permanent stability.**



New building box bearing, adjustable in height for simple clip-in installation

By means of the bearing the Comfort 400 is fixed securely and permanently in the roller shutter box. An extremely quick installation is provided by the clip-in connection between bearing and operator system. Nothing is easier. And as well for the bearings we are providing a product range that is suitable for all different roller shutter boxes and that meets all requirements.

Additionally, the range Comfort 400 comprises adapter sets, adapters and carrier links matching perfectly the requirements of the market.

For quicker installation the adapter sets 40.8 or 60.8 KT are pre-assembled and included in the price.

**Remote standard Easywave. Hand transmitter. Receiver. Multi-channel transmitter.**



The operator systems Comfort 400 can be simply and comfortably operated. The best way is by means of the digital transmitters and receivers Easywave, 868 MHz.

### Hand transmitter Digital 311 Easywave.

1-channel hand transmitter operating one solid tubular motor or one group.

### Hand transmitter Digital 314 Easywave.

4-channel hand transmitter operating up to 4 tubular motors or in groups.

### Hand transmitter Digital 329 Easywave.

Multi-channel transmitter with 4 levels and 6 coded remote control channels each operating up to 24 tubular motors.

### Remote timer Command 550.

4 remote channels operating 4 tubular motors resp. groups with various functions (vacation setting, daily and weekly function etc.)

### All advantages at a glance

- pre-assembled for roller shutters and awnings with shaft diameter from 40 mm onwards
- usage for domestic and industrial market
- high-performance quality product in appealing Marantec design
- guaranteed operation also in case of power failure by means of emergency hand crank
- extensive product range for all site requirements
- quick and space saving installation via integrated remote receiver
- clip-in connection between bearing and operator for quick installation
- various different adapter sets for commercially available requirements
- pre-assembled with standard adapter set, easy change of adapter sets
- product range of different bearings suitable for commercially available roller shutter boxes
- quiet travel, therefore no noise disturbance for the tenants
- thermal overload protection: the motor cuts out at too large heat